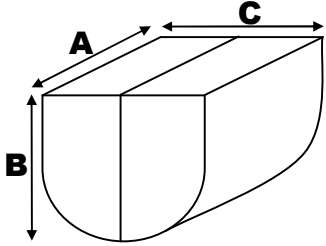
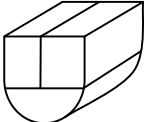
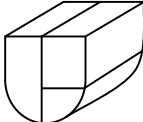
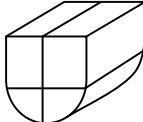
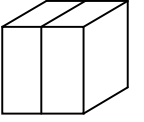
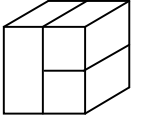
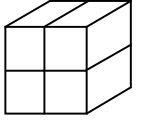
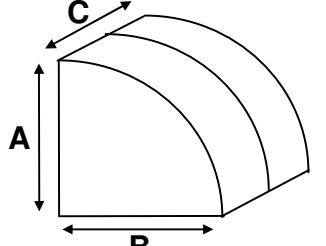
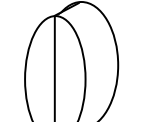
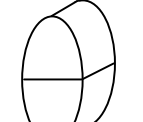
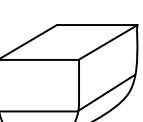
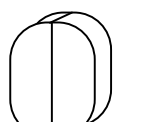
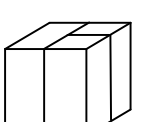
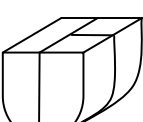
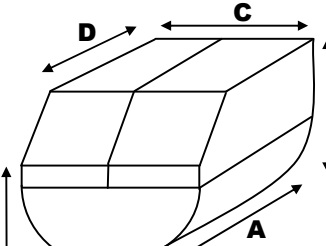
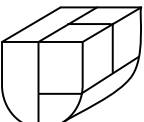
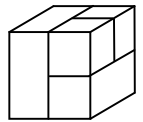
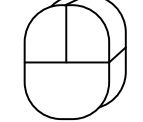
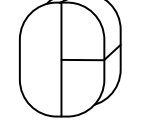
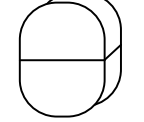
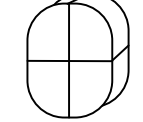
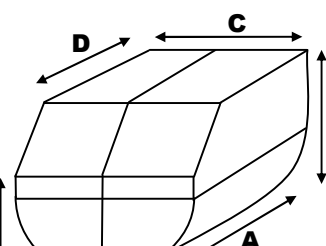
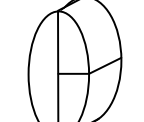
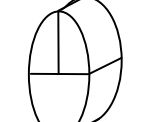
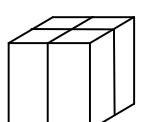
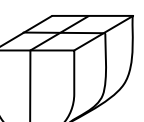
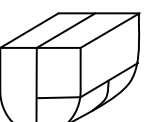
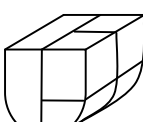
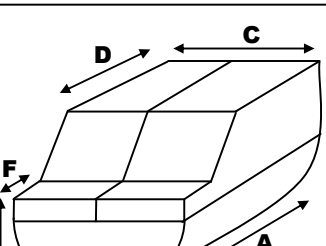
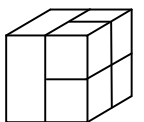
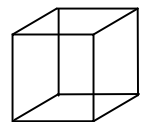
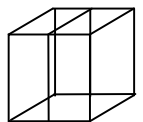
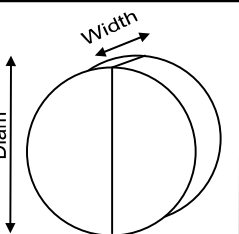
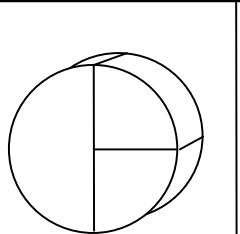
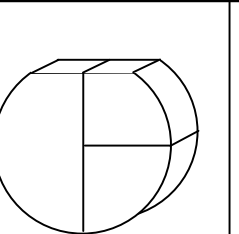
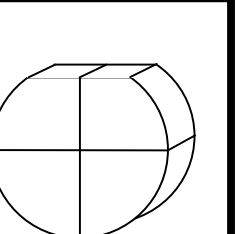
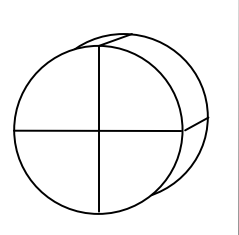
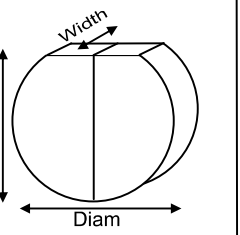
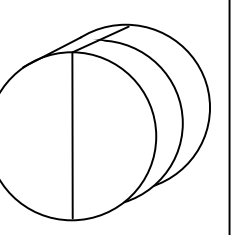
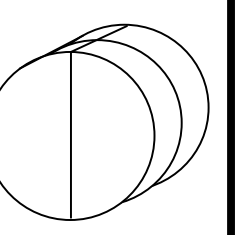


D&S SHEET METAL – FLANGE & VALVE BOX ORDER FORM

 <p style="text-align: right;">Valve Type 1</p>	 <p>Valve Type 2</p>	 <p>Valve Type 3</p>	 <p>Valve Type 4</p>	 <p>Valve Type 5</p>	 <p>Valve Type 6</p>	 <p>Valve Type 7</p>	
 <p style="text-align: right;">Valve Type 22</p>	 <p>Oval Exp/Bellows Valve Type 8</p>	 <p>Oval Exp/Bellows Valve Type 9</p>	 <p>Valve Type 10</p>	 <p>Double Flange Valve Type 11</p>	 <p>Valve Type 12</p>	 <p>Valve Type 13</p>	
 <p style="text-align: right;">Valve Type 33</p>	 <p>Valve Type 14</p>	 <p>Valve Type 15</p>	 <p>Double Flange Valve Type 16</p>	 <p>Double Flange Valve Type 17</p>	 <p>Double Flange Valve Type 18</p>	 <p>Double Flange Valve Type 19</p>	
 <p style="text-align: right;">Valve Type 35</p>	 <p>Oval Exp/Bellows Valve Type 20</p>	 <p>Oval Exp/Bellows Valve Type 21</p>	 <p>Valve Type 23</p>	 <p>Valve Type 24</p>	 <p>Valve Type 25</p>	 <p>Valve Type 26</p>	
 <p style="text-align: right;">Valve Type 36</p>	 <p>Valve Type 27</p>	 <p>Open at bottom Valve Type 28</p>	 <p>Open at bottom Valve Type 29</p>	<p>Variations of type 28 & 29. Please specify location and sizes of folds.</p>			
	 <p>Flange Type 1</p>	 <p>Flange Type 2</p>	 <p>Flange Type 5</p>	 <p>Flange Type 6</p>			
	 <p>Flange Type 3</p>	 <p>Flange Type 4</p>	 <p>Flange Type 7</p>	 <p>Flange Type 8</p>			
<p>D&S Sheet Metal Ltd. Unit 40 Thurrock Commercial Centre, Purfleet Industrial Park, Aveley, Essex, RM15 4YA</p> <p>Tel: 01708 860111 Fax: 01708 860120</p>							

